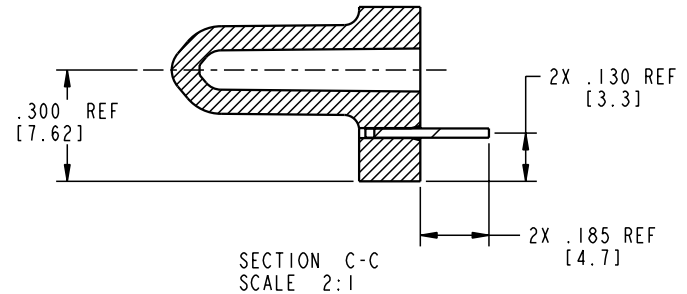
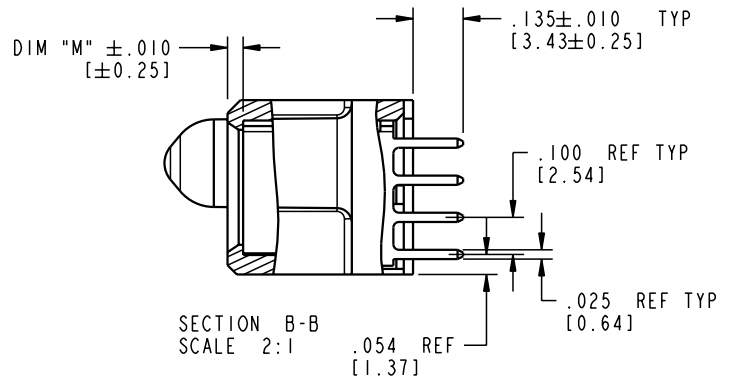
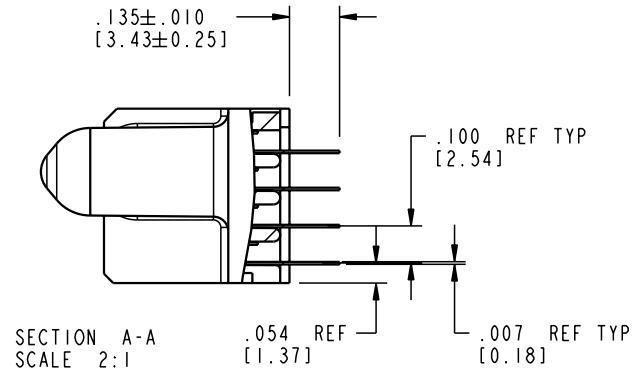


Tous droits strictement reserves. Reproduction ou communication a des tiers interdite sous quelque forme que ce soit sans autorisation écrite du propriétaire. Propriete de c FCI. Droits de reproduction FCI.

All rights strictly reserved. Reproduction or issue to third parties in any form whatever is not permitted without written authority from the proprietor. Property of FCI. Copyright FCI.

PRODUCT NUMBER
51740-10302403AA



A
FCI

B

mat'l code		SEE NOTE 2		tolerances unless otherwise specified		CUSTOMER		A FCI www.fciconnect.com	
lfr	ecn no.	dr	date	linear	.XX±.01/0.X±0.3	projection	title		
A				angles	.XXX±.005/0.XX±0.13		3P + 24S + 3P		
				dr	.XXX±.002/0.XXX±0.051		VERTICAL SOLDER RECEPT		
				enr	0°±2°	INCH/MM	product family		code
				chr	M. MOSTOLLER 4/21/03	scale	PwrBlade		213
				appd	M. MOSTOLLER 4/21/03	1:1	size	dwg no	sheet
sheet index	revision						A	51740-10302403AA	2 of 4
	sheet								

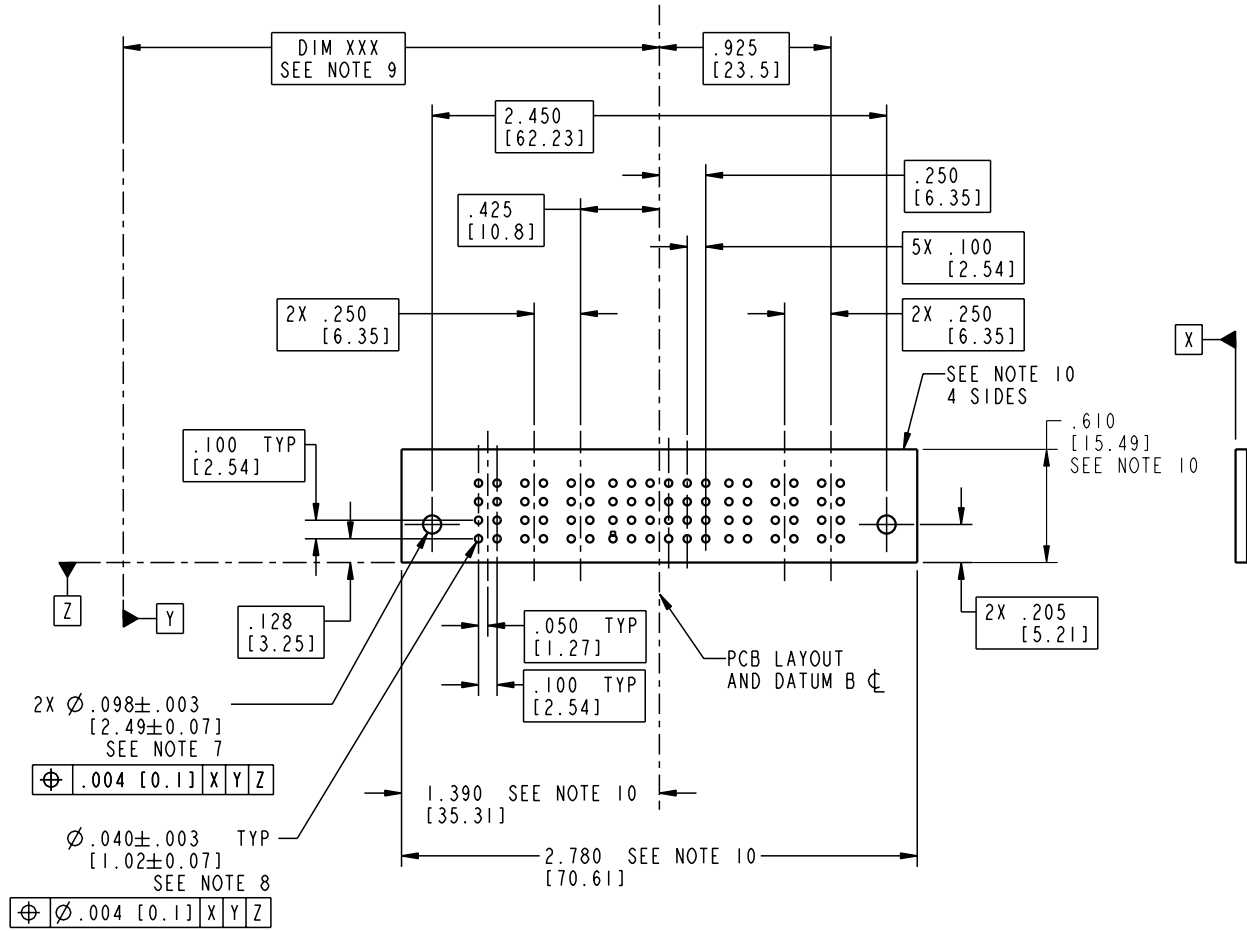
cage code 22526

Pro/E

Tous droits strictement réservés. Reproduction ou communication à des tiers interdite sous quelque forme que ce soit sans autorisation écrite du propriétaire. Propriété de c FCI. Droits de reproduction FCI.

All rights strictly reserved. Reproduction or issue to third parties in any form whatever is not permitted without written authority from the proprietor. Property of FCI. Copyright FCI.

PRODUCT NUMBER
51740-10302403AA



A
FCI

A

B

B

mat'l code		SEE NOTE 2		tolerances unless otherwise specified		CUSTOMER		FCI www.fciconnect.com	
lfr	ecn no.	dr	date	linear	.XX±.01/0.XX±0.3	projection	title		
A				angles	.XXX±.005/0.XX±0.13		3P + 24S + 3P		
				dr	.XXX±.002/0.XXX±0.051	INCH/MM	product family		code
				enr	M. MOSTOLLER 4/21/03	scale	PwrBlade		213
				chr	H. BREWBAKER 4/21/03	1:1	size	dwg no	sheet
				appd	M. MOSTOLLER 4/21/03		A	51740-10302403AA	3 of 4
sheet index	revision								
	sheet								

Pro/E

cage code 22526

Tous droits strictement réservés. Reproduction ou communication o des tiers interdite sous quelque forme que ce soit sans autorisation écrite du propriétaire. Propriete de c FCI. Droits de reproduction FCI.

All rights strictly reserved. Reproduction or issue to third parties in any form whatever is not permitted without written authority from the proprietor. Property of FCI. Copyright FCI.

PRODUCT NUMBER
51740-10302403AA

NOTES:

1. DIMENSIONS AND TOLERANCES ARE IN ACCORDANCE WITH ASME Y14.5M, 1994 UNLESS OTHERWISE SPECIFIED.

CONNECTOR NOTES:


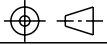
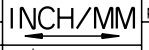
- 2 HOUSING MATERIAL: UL 94 V-0 GLASS FILLED
HIGH-TEMP THERMOPLASTIC
POWER CONTACT MATERIAL: COPPER ALLOY
SIGNAL PIN MATERIAL: COPPER ALLOY
- 3. PLATING:
SIGNAL PINS: 30u"/0.76um Au OVER 50u"/1.27um Ni
POWER CONTACTS: 50u"/1.27um Ni UNDER ALL WITH 30u"/0.76um Au ON CONTACT AREA AND SnPb ON PCB INTERFACE

4 MANUFACTURER'S NAME, P/N, AND DATE CODE TO APPEAR ON THIS SURFACE.

5. PRODUCT SPECIFICATION GS-12-149.
APPLICATION SPECIFICATION BUS-20-067.

PCB NOTES:

- 6. ALL HOLE DIAMETERS ARE FINISHED HOLE SIZE.
- 7. MOUNTING HOLES, WHERE APPLICABLE, ARE UNPLATED.
- 8 $\varnothing .0453 \pm .0010$ [1.151 \pm 0.025] DRILLED HOLES PLATED WITH .0003 [0.008] MIN SnPb OVER .001 [0.03] TO .003 [0.08] Cu PLATING TO ACHIEVE $\varnothing .040 \pm .003$ [1.02 \pm .07] HOLE.
- 9 "DIM XXX" TO BE DETERMINED BY THE CUSTOMER.
- 10 CONNECTOR KEEP-OUT ZONE.

mat'l code		SEE NOTE 2		tolerances unless otherwise specified		CUSTOMER		 www.fciconnect.com	
lfr	ecn no.	dr	date	linear	.XX±.01/0.X±0.3	projection	title		
A					.XXX±.005/0.XX±0.13		3P + 24S + 3P		
				angles	.XXX±.002/0.XXX±0.051		VERTICAL SOLDER RECEPT		
				dr	0°±2°		product family		code
				enr	M. MOSTOLLER 4/21/03		PwrBlade		213
				chr	M. MOSTOLLER 4/21/03		size	dwg no	sheet
				appd	H. BREWBAKER 4/21/03		A	51740-10302403AA	4 of 4
				scale	M. MOSTOLLER 4/21/03	1:1			
sheet index	revision								
	sheet								

Pro/E

cage code 22526